



COMPANY INC.

solving your wire stitching needs for 125 years...

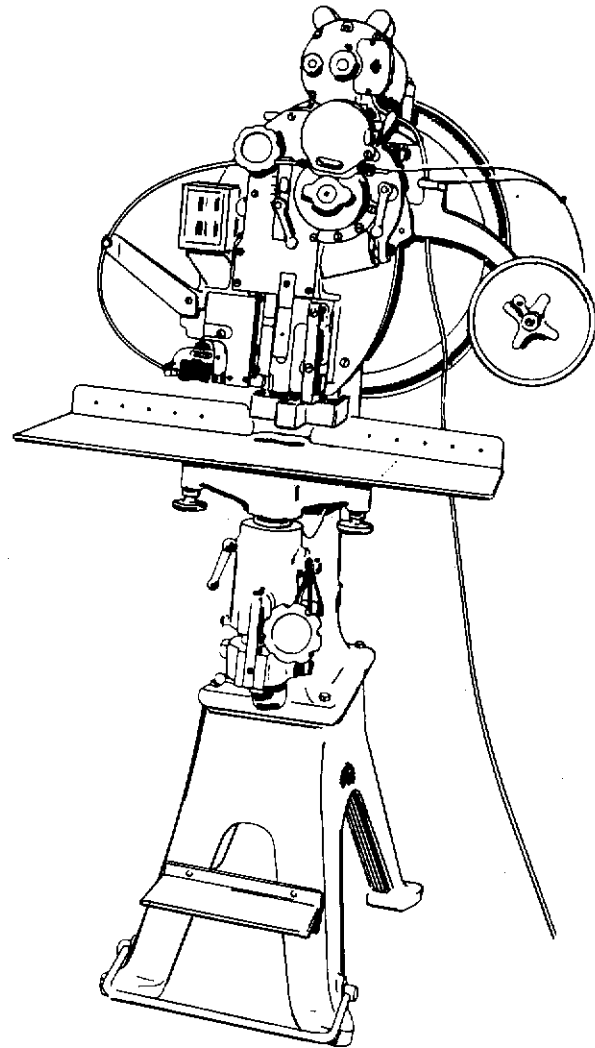
ISP Stitching & Bindery Products

**OWNERS
MANUAL**

MODEL N3B BOOK STITCHER

**MODELS: N3B2
N3B2 1/2**

ACME-MORRISON N3D



Section

1 SAFETY PRECAUTIONS And PROCEDURES

SAFETY PRECAUTIONS And PROCEDURES

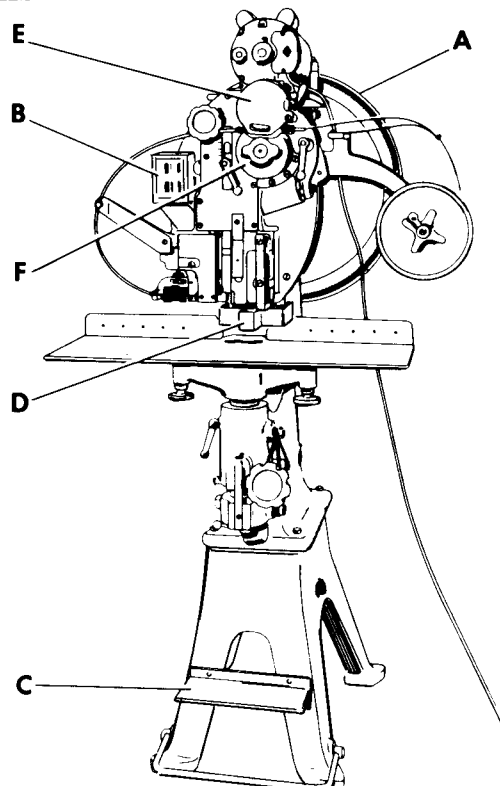
1. Make sure electrical power is turned off before performing any adjustment or maintenance.
2. Keep hands, tools and clothing clear of stitching area.
3. Become familiar with the moving components of your machine. Keep fingers away from areas that could pinch or cut.
4. Wear adequate safety equipment for eye and face protection. Observe your plant safety rules.
5. Exert "good housekeeping" in your work area. Keep it as clean and as uncluttered as possible.
6. A well maintained machine is a safer machine. Clean and lubricate the machine at regular intervals. Check machine daily for broken or worn parts. Replace as necessary. **DO NOT** attempt to operate the machine if a part is broken.
7. Route all electrical cables away from pedestrian and transportation lanes.
8. See "Safety Guards" information. It points out areas where additional caution should be exercised. If you are unsure how to safely operate or maintain your Stitcher, contact your Interlake Service Representative.

SAFETY GUARDS

NOTE

FOR ILLUSTRATIONAL CLARITY, SAFETY GUARDS ARE NOT SHOWN IN OTHER ILLUSTRATIONS IN THIS MANUAL.

- A. **PINION GUARD (C-8137-F) & DRIVE WHEEL GUARD (B-6158-F)** – This guard covers a revolving part. Do not operate machine unless this guard is properly in place. Keep hands, clothing and tools clear when machine is in operation or hand-wheel is used to cycle machine.
- B. **L.V.P. SWITCH (CB-285-C2)** – On-off switch provides low voltage protection. The motor is prevented from automatically re-starting if electrical power is interrupted.
- C. **FOOT PEDAL GUARD (CB-2103-A or CD-2326)** – This guard safeguards against accidental actuation of machine. **DO NOT** remove.
- D. **FINGER GUARD (CB-2113-B)** – This guard helps to prevent the operator's fingers from entering a pinch point area. Never put fingers under this guard.
- E. **IDLER GEAR GUARD (C-8077-F)** – This guard covers moving parts that could pinch or cut. Do not operate machine unless this guard is properly in place.
- F. **WIRE FEED GEAR GUARD (C-8229-F)** – This guard covers revolving gears. Do not operate machine unless this guard is properly in place. Keep hands, clothing and tools clear when machine is in operation.



WARNING

NEVER PUT FINGERS UNDER FINGER GUARD.

N3B ACME-MORRISON BOOK STITCHER

The current Heavy Duty Book Stitcher is our Model N3B. Use the same corresponding part number when ordering parts for the obsoleted Morrison 12Z and Seybold Morrison SCA and SCB. Parts for both the 2 and 2½ Models are listed herein. **NOTE: DO NOT ORDER** Parts for the old Morrison No. 12 Model from this manual.

When ordering parts for the N3B 1½ Acme-Morrison Book Stitcher, use the part numbers given for the model N3B 2.

Please mention the following Model and Serial Number in all correspondence with Sales and Service Office. Also state Wire Size and Stitch Width.

Model..... Wire Size

Serial No..... Stitch Width.....

OPERATING INSTRUCTIONS

Page 4	Preliminary Installation Instructions
Page 5	Detailed Installation Instructions
Page 6	Lubrication Instructions
Page 7	Maintenance Instructions and Adjustments Wire Cutoff Even Leg Length Mandrel Adjustment Clincher Adjustment

PARTS LIST

Pages 8-9	General Parts List
Pages 10-11	General Parts List—Compressor
Pages 12-13	Cutter Block—Front Block—Clincher Box
Pages 14-15	Face Plate—Front View
Pages 16-17	Face Plate—Rear View
Pages 18-19	Cam—Shaft—Clutch—Brake
Pages 20-23	Parts List for Model N3D

N3B BOOK STITCHER

PRELIMINARY INSTRUCTIONS FOR INSTALLING MODEL N3B ACME-MORRISON BOOK STITCHER

Model N3B R ¼" to 1¾" Capacity*

For use with No. 17 and 18 x 20 High
Carbon Book Binders Wire.

Model N3B H ½" to 2" Capacity*

CLEANING

For protection, all parts have been coated with a rust preventative. Remove with a lint free rag soaked in an oil-based solvent taking precaution that slush is not washed into oil holes and bearings.

POWER SOURCE

Check data on motor nameplate. Operate only when this corresponds to your power characteristics.

ELECTRICAL WIRING

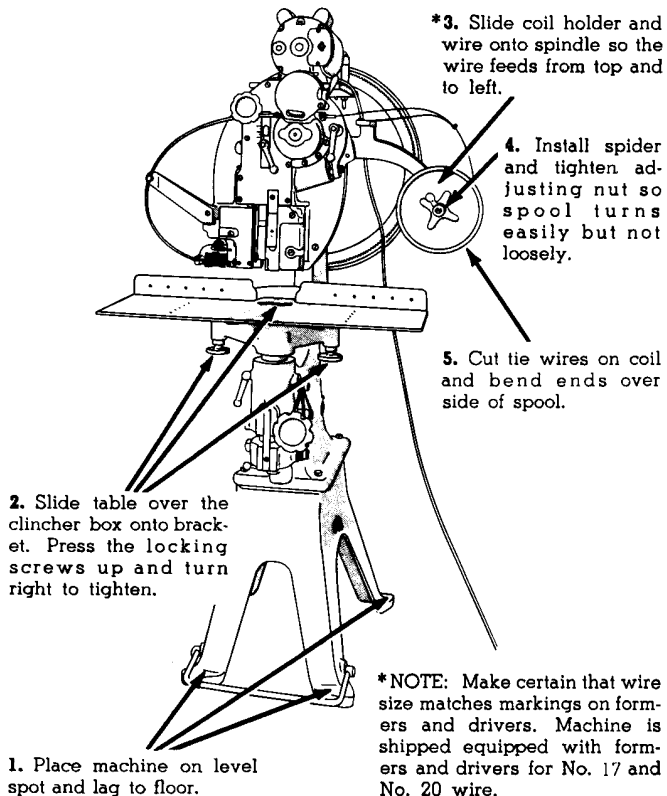
The motor is complete with overload protection. In case of single phase wiring the cord and plug are furnished. If wired for two or three phase, a line must be run to the starter.

FOLLOW DETAILED INSTALLATION INSTRUCTIONS ON FOLLOWING PAGE CAREFULLY

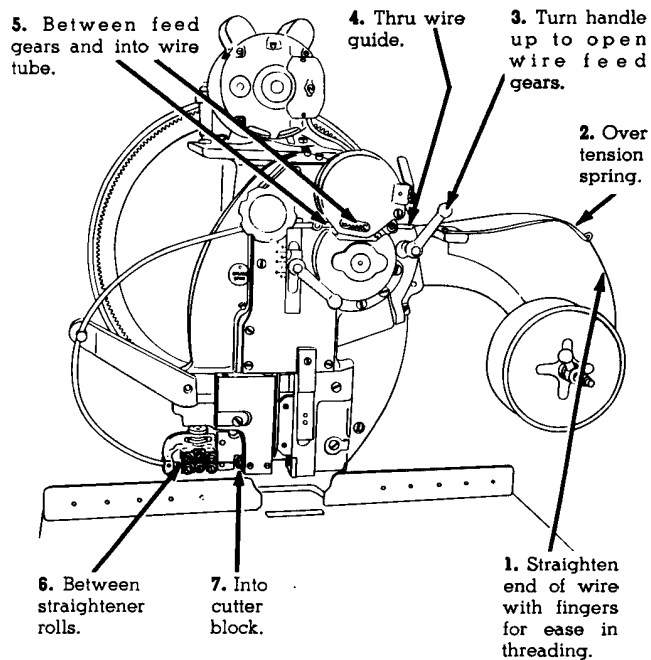
*Capacity is dependent on type, consistency, coating, and weight of paper. Interlake recommends samples of product are submitted before purchasing this machine.

INSTRUCTIONS FOR INSTALLING MODEL N3B ACME-MORRISON BOOK STITCHER

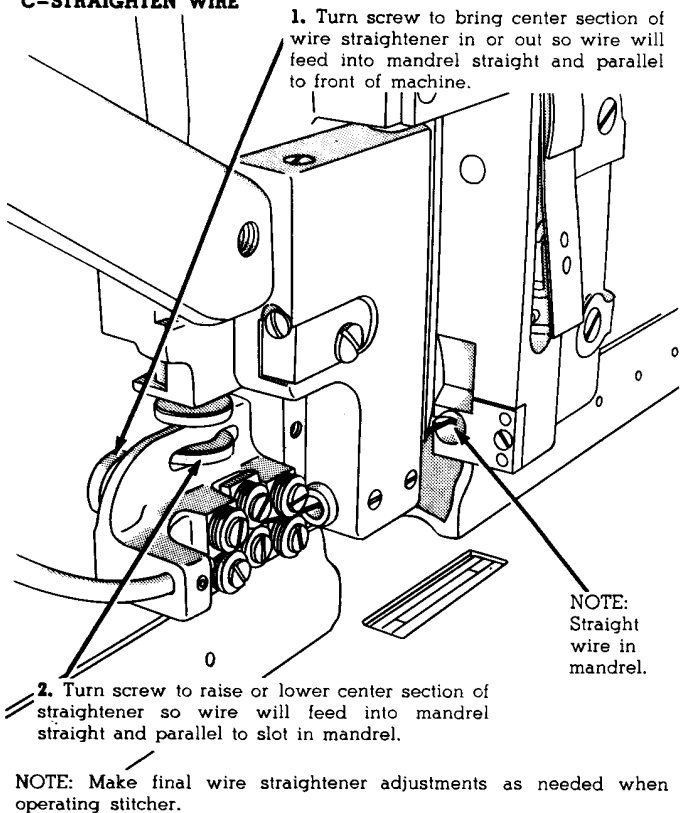
A-INSTALL TABLE AND COIL HOLDER



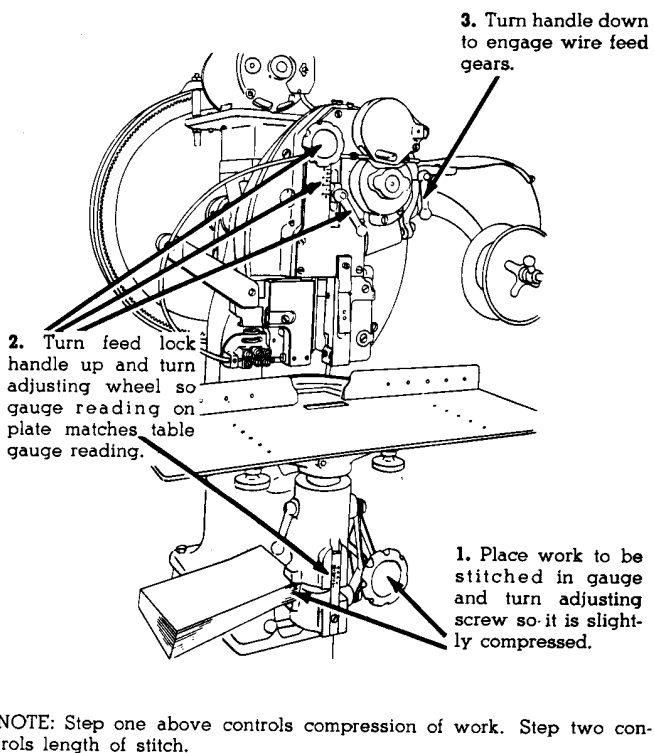
B-THREAD WIRE



C-STRAIGHTEN WIRE



D-ADJUST FOR THICKNESS OF WORK



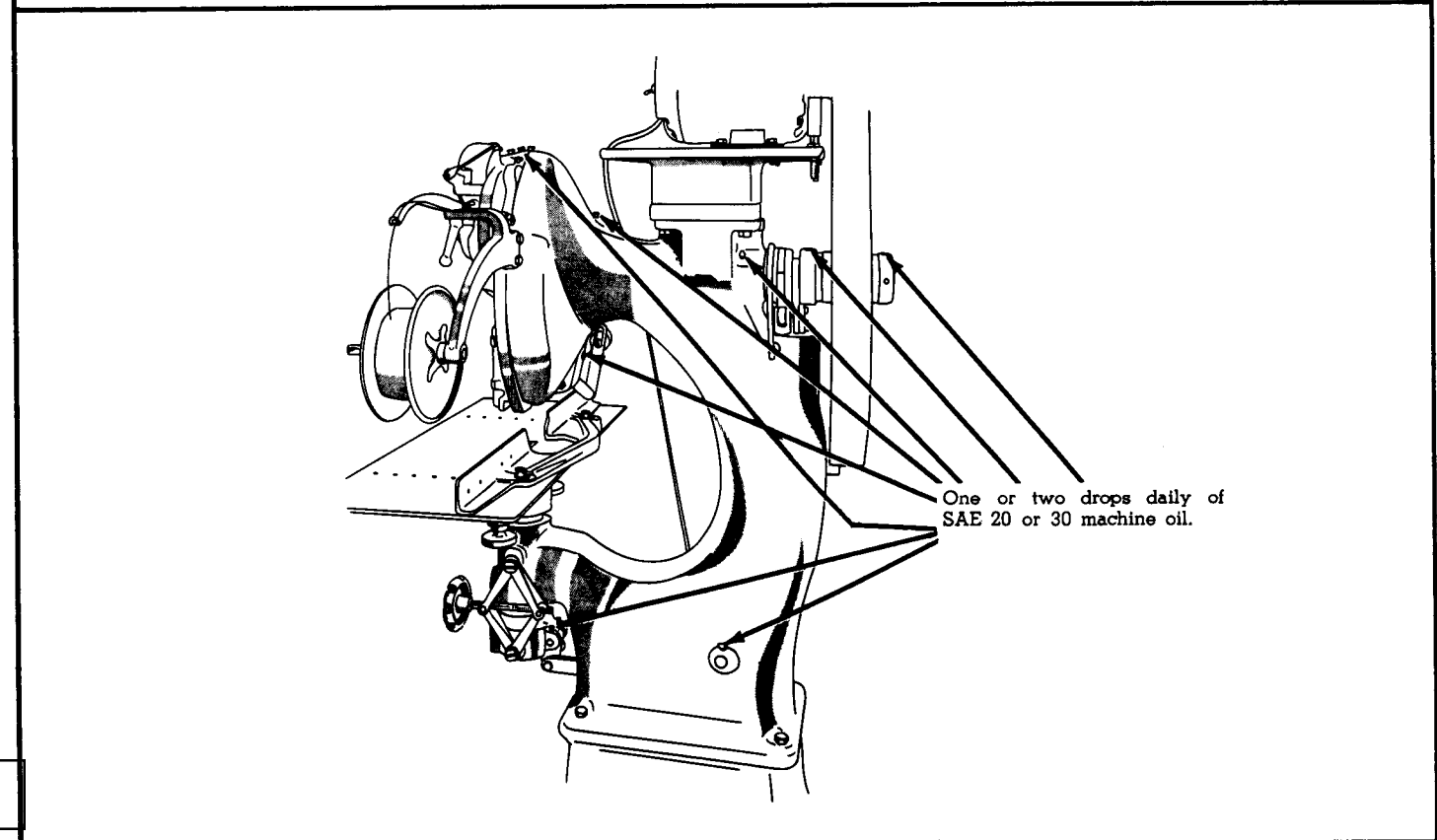
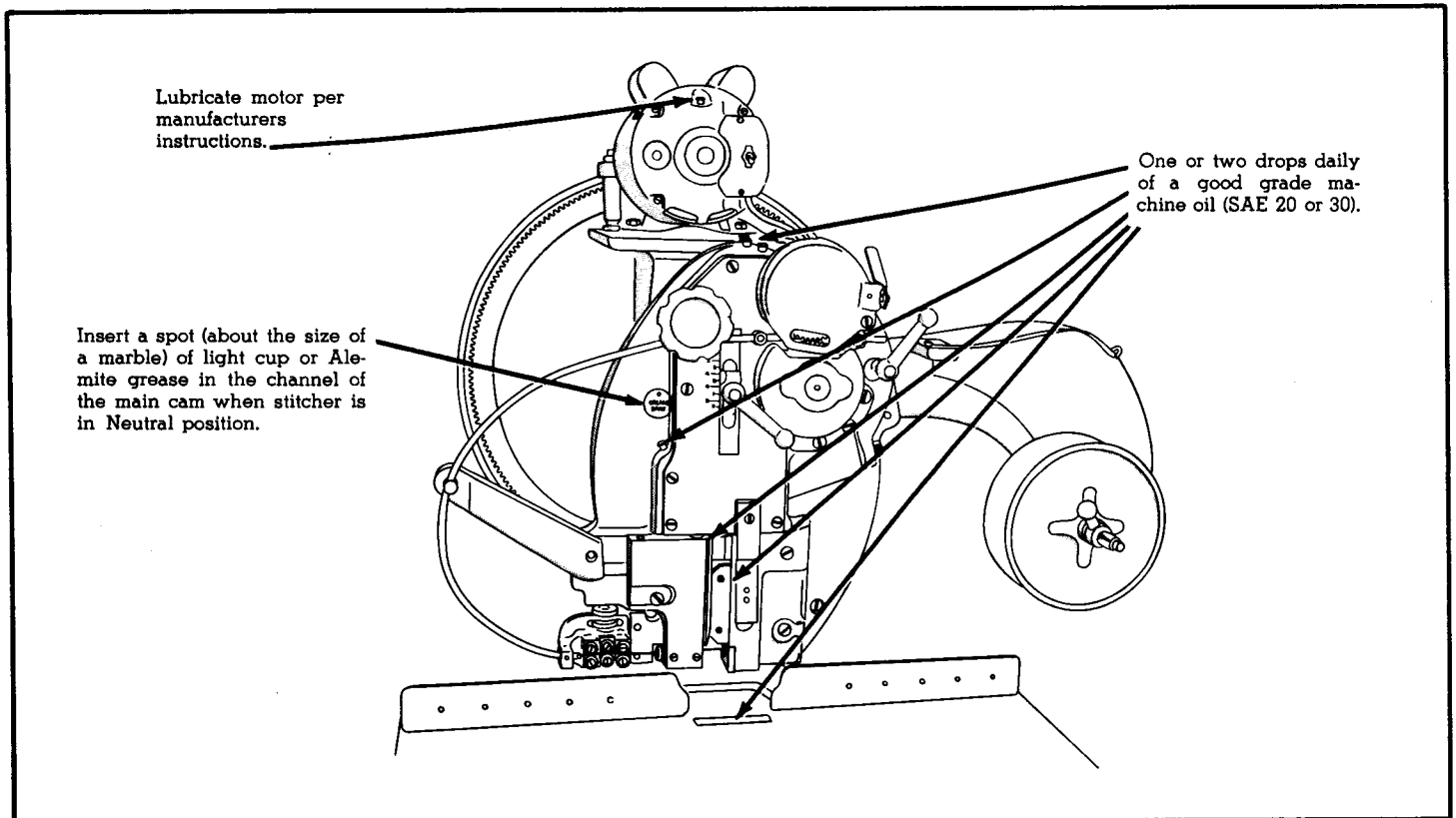
After completing steps outlined above, check available power sources against readings on motor nameplate. To operate stitcher press hand switch to "on" position; place the work to be stitched on table under head. Press down on trip rod with foot and release. **CAUTION:** Stitcher will continue to stitch as long as trip rod is held down.

N3B BOOK STITCHER

LUBRICATION

CAUTION: Never operate this machine until you are sure it has been thoroughly lubricated.

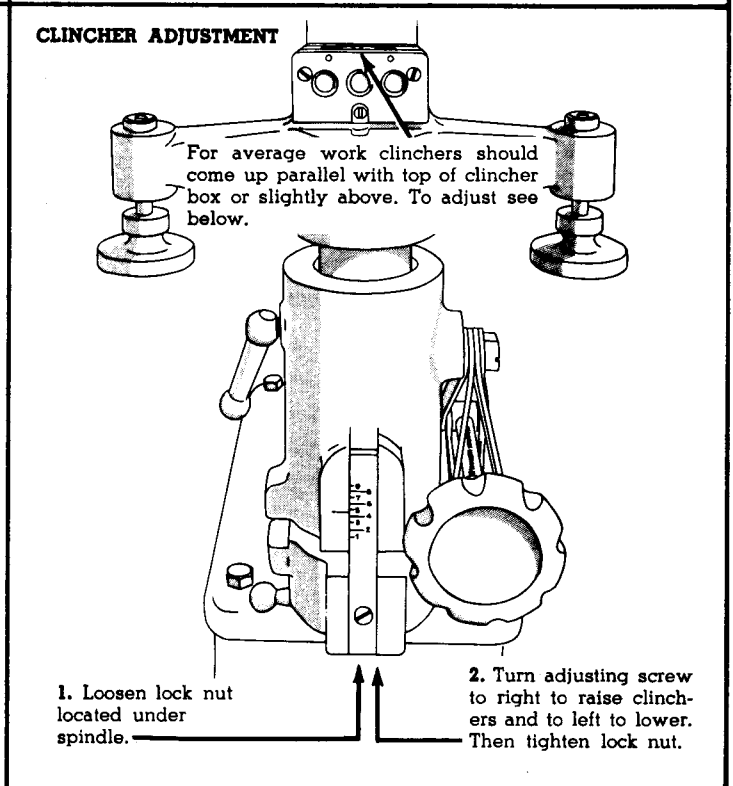
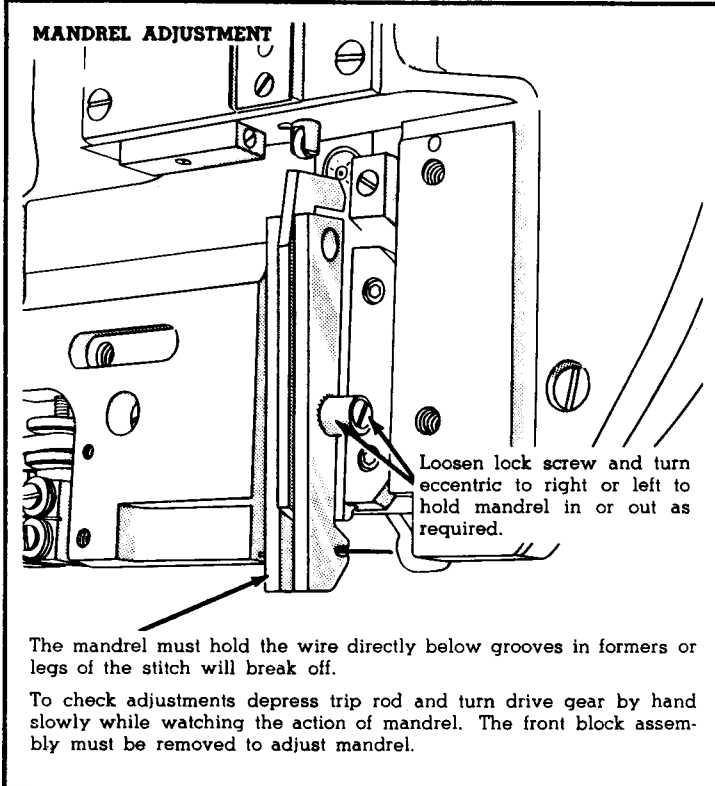
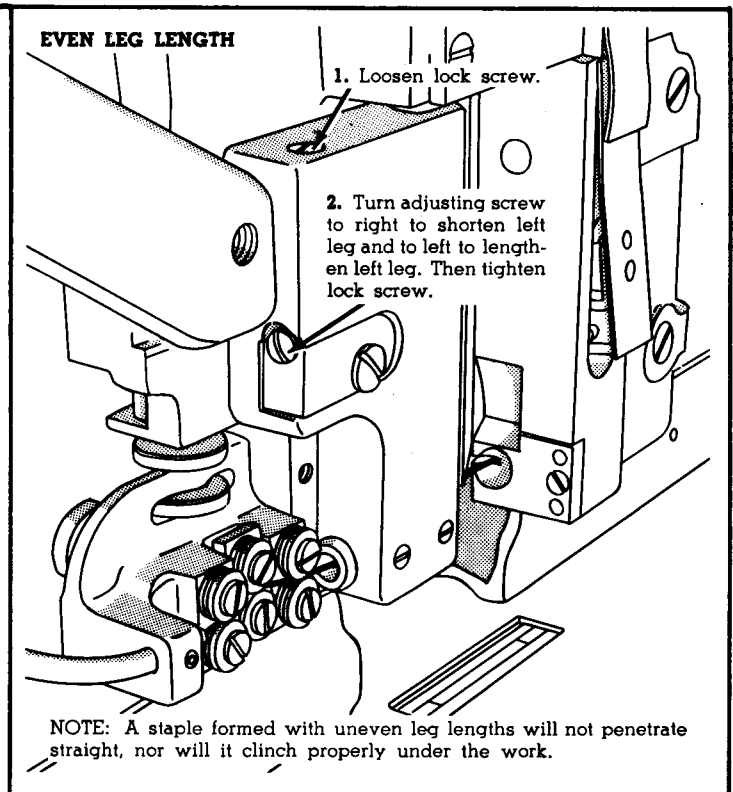
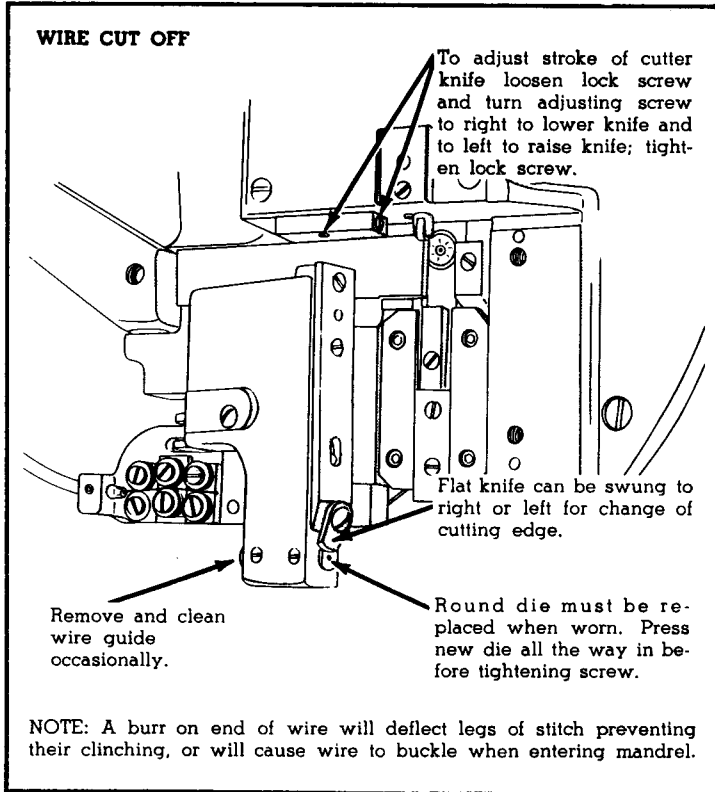
If in constant use, the machine should be lubricated daily. Oiling at the end of the day will permit oil to flow over all parts and wiping excess from formers and drivers before starting the next day will prevent ruining books or material being stitched. All oil cups and oil holes are plainly marked in red.



NOTE: Exposed working parts may be lubricated on their working surfaces.

MAINTENANCE INSTRUCTIONS AND ADJUSTMENTS

MAKE ADJUSTMENTS WITH MACHINE IN NEUTRAL POSITION. Turn main drive gear by hand in clockwise direction indicated by arrow on gear until gear disengages from clutch hub and shaft. After repairs or adjustments are made and **BEFORE TURNING ON POWER**, always step on foot pedal and turn main drive gear by hand to form a stitch and return the machine to neutral position.



ORDER SPARE PARTS FROM LISTS ON FOLLOWING PAGES

Locate parts required by selecting nearest index number on the photographs to the part required. Refer to listing by index number and order by giving number of pieces required, part number, part name, model and serial number of stitcher.

EXAMPLE: 1-D-31842 Flat Knife for N3B2½ Stitcher #12348

Where part numbers are not shown in N3B2½ column use numbers in N3B2 column as they are identical.

N3B BOOK STITCHER

GENERAL PARTS LIST—FIG. 1

Index No.	Part No. N3B-2	Part No. N3B-2½	Part Name	Index No.	Part No. N3B-2	Part No. N3B-2½	Part Name
1	C-8171		Table (Assy B-6933-A)	16	C-8231-F		Inner Bell Crank
2	C-8049F		Table Back Gauge		D-31723		Inner Bell Crank Pin
	D-37725		Table Back Gauge Screw		D-33881		Crank Pin Screw
3	D-30184F		Table Side Gauge, L.H.		D-37212A		Vertical Clincher Bar Assby
	CD-2665		Table Side Gauge, R.H.	17	B-6856A		Wire Spool Bracket Assby (Includes)
	D-37725		Table Side Gauge Screw				Spindle & Rear Spider Assby
4	B-6781F		Table Bracket		D-33916		Attaching Screw
	D-5042		Table Screw	18	D-31051A	SEE	Front Spider Assby
5	C-8895A	C-8896A	Table Support Bar Assby	19	D-30022F	CDDD	Spool Retaining Nut
	CB-835-H		Roll Pin	20	D-37032A	23-G2	Wire Guide Spring Assby
6	D-30179F	D-31886F	Table Raising Spindle		D-36380		Attaching Screw
	D-33896-F		Wire Draw Index	21	D-33103		5-lb. Spool
	D-30897		Wire Draw Index Screw	22	B-6158-F		Drive Gear Guard
8	D-33854		Table Lock Screw		D-33869		Guard Lower Screw
	D-33853		Table Lock Handle	23	C-8137-F		Pinion Guard
	*D-30471		Taper Pin		D-30607		Pinion Guard Screw
9	D-31685	D-31867	Table Adj. Screw		C-22966-F		Motor Pinion—19 Teeth
	D-32245		Table Adj. Screw Wheel	24	D-31909		Guard Support Stud
	*D-30874		Table Adj. Screw Pin		D-32977		Nut
10	D-31837	D-31861	Toggle Link	25	B-6279-F		Drive Gear
	D-31836		Link Bushing—	26	C 8047-F	C-8050-F	Wire Tube Bracket
			R.H. Thread		D-3059	D-3144	Attaching Screw
	D-31815		Link Bushing—		D-31829		Tube Holder Screw
			L.H. Thread		D-30537		Tube Holder Screw Nut
11	D-33729		Link Screw	27	C-9153	D-35571	Wire Tube
12	D-30126F		Outer Bell Crank	28	C-8228-F		Wire Straightener Body
	D-30076		Bell Crank Pivot Pin		D-31851		Roller Stud
	D-36454-F		Bell Crank Handle		D-31721	SEE	Adj. Plunger
	D-30541		Bell Crank Handle Nut		D-31720	CDD-2310	Handle
	D-30508		Bell Crank Screw		D-31719	FOR	Lock Nut
	D-30204-F		Clincher Adj. Screw		D-31718	FLAT	Horizontal Adj. Screw
	D-5894		Clincher Adj. Screw Nut		D-31716	WIRE	Vertical Nut
	D-33201		Clincher Pushrod		D-31835		Block Screw
	D-30039		Clincher Pushrod Pin		D-33893		Adj. Slide Block
	D-30481-F		Clincher Spring		D-31834		Roller
13	D-37210A		Horizontal Clincher Bar Assby		D-22872		Set Screw
					D-3051		Attaching Screw
14	D-33839		Foot Treadle	29	C-8077-F		Idler Gear Guard
	*D-30471		Taper Pin		D-30607		Upper Attaching Screw
	D-31742		Foot Treadle Stud—Left		D-33876		Lower Attaching Screw
	D-31741		Foot Treadle Stud—Right	30	C-8488-F	C-8229-F	Feed Gear Guard
	D-37208A		Trip Stud Crank Assby		D-31724	D-35994	Gear Guard Pin
	C-8359		Lower Connecting Bar		D-31733	D-31418	Gear Guard Screw
15	D-31888		Trip Connecting Lever Pin		D-31715		Wire Tube Screw
	C-8894A		Lever Assembly		D-31731		Upper Wire Tube
	C-8133		Upper Conn. Bar		D-31807		Feed Clutch Brake
	D-33855		Trip Spring		D-31808		Feed Clutch Spring
				31	CN-30		Feed Lock Handle
					D-33712		Handle Screw
					*D-30471		Handle Taper Pin
					D-31601		Washer

*Late Model Stitchers use D-37929 Roll Pin.

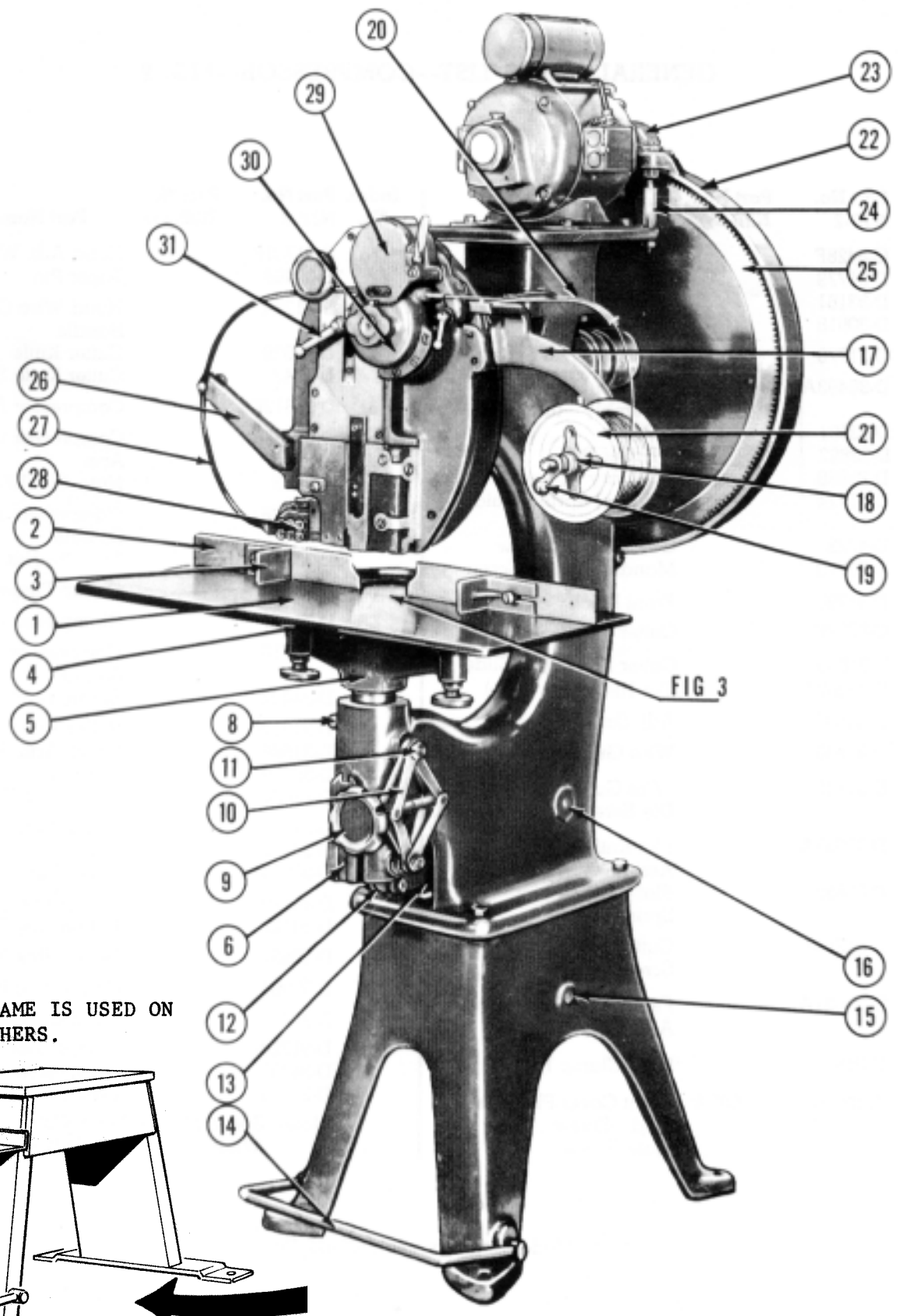


FIG. 3

FABRICATED FRAME IS USED ON ALL NEW STITCHERS.

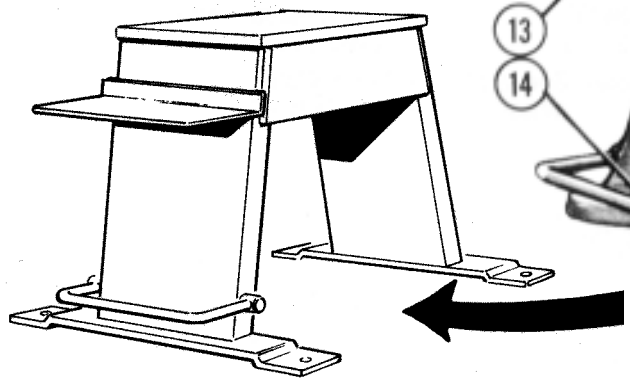


FIG. I—GENERAL

GENERAL PARTS LIST—COMPRESSOR—FIG. 2

Index No.	Part No. N3B-2	Part No. N3B-2½	Part Name	Index No.	Part No. N3B-2	Part No. N3B-2½	Part Name
32	C-8428F		Front Block	56	D-31701F		Hand Adj. Wheel
	D-31779		Wire Guide		*D-30468		Taper Pin
	D-33161		Pin	58	D-31264		Hand Wire Cutter Handle
	D-30618		Guide Screw		D-30099		Cutter Knife
34	D-31778		Mandrel Pivot Screw		D-30421		Cutter Knife Screw
35	D-36493A		Mandrel Spring Assembly—(Includes)	61	D-31819F		Compressor Bracket
	D-33891		Roller	63	D-31736F		Compressor Operating Arm
	D-33892		Roller Pin		D-5573		Nut—½—13
	D-33888		Auxiliary Spring	64	D-34426		Compressor Bracket Spindle
	D-31774		Mandrel Spring Guide Block		D-36314		¾—10—Nut
	D-4722		Guide Block Screw	65	B-6143F		Clamp Finger Holder
	D-31773		Mandrel Spring Screw	66	D-34428		Clamp Finger
36	D-31418		Front Block Screw	67	D-31710		Compressor Raising Spring
40	C-8227F		Cutter Block		D-34432		Spring Stud
41	D-31855		Cutter Block Adj. Slide (For Hi-Carbon Wire)	68	D-31714F		Roller Arm
	D-48967-F				D-31686		Roller Arm Bushing
42	D-30593		Adj. Screw		D-30699		Washer
44	D-31860		Wire Guide		D-33604		½—13 x 2 Cap Screw
45	D-31749		Wire Guide and Rd. Die Screw	69	D-31688		Roller Arm Stud
48	D-37033A		Flat Knife Holder Assembly		D-34425		Roller
	D-31859		Flat Knife Holder Spring		D-36224		Cotter Pin
51	D-31754		Cutter Block Attaching Screw	70	D-34429		Connecting Bar
					D-34427		Connecting Bar Stud
53	D-37031A		Feed Drive Gear Assembly	71	D-30531		¾—11 Hex Nut
54	D-31812		Lock Clamp Plate	72	D-30964		Connecting Bar Spring
55	C-8899A	C-8900A	Front Cover Plate Assby	73	D-34430		Connecting Bar Block
	D-31715		Stud—Screw	74	D-31794F		Compressor Cam
	D-30897		Plate Screw		D-34431		Compressor Cam Ring
					D-31743		Cam Ring Screw

Note—See #142 for Clutch Collar When Compressor Is Not Used.

*Late Model Stitchers use D-37912 Roll Pin.

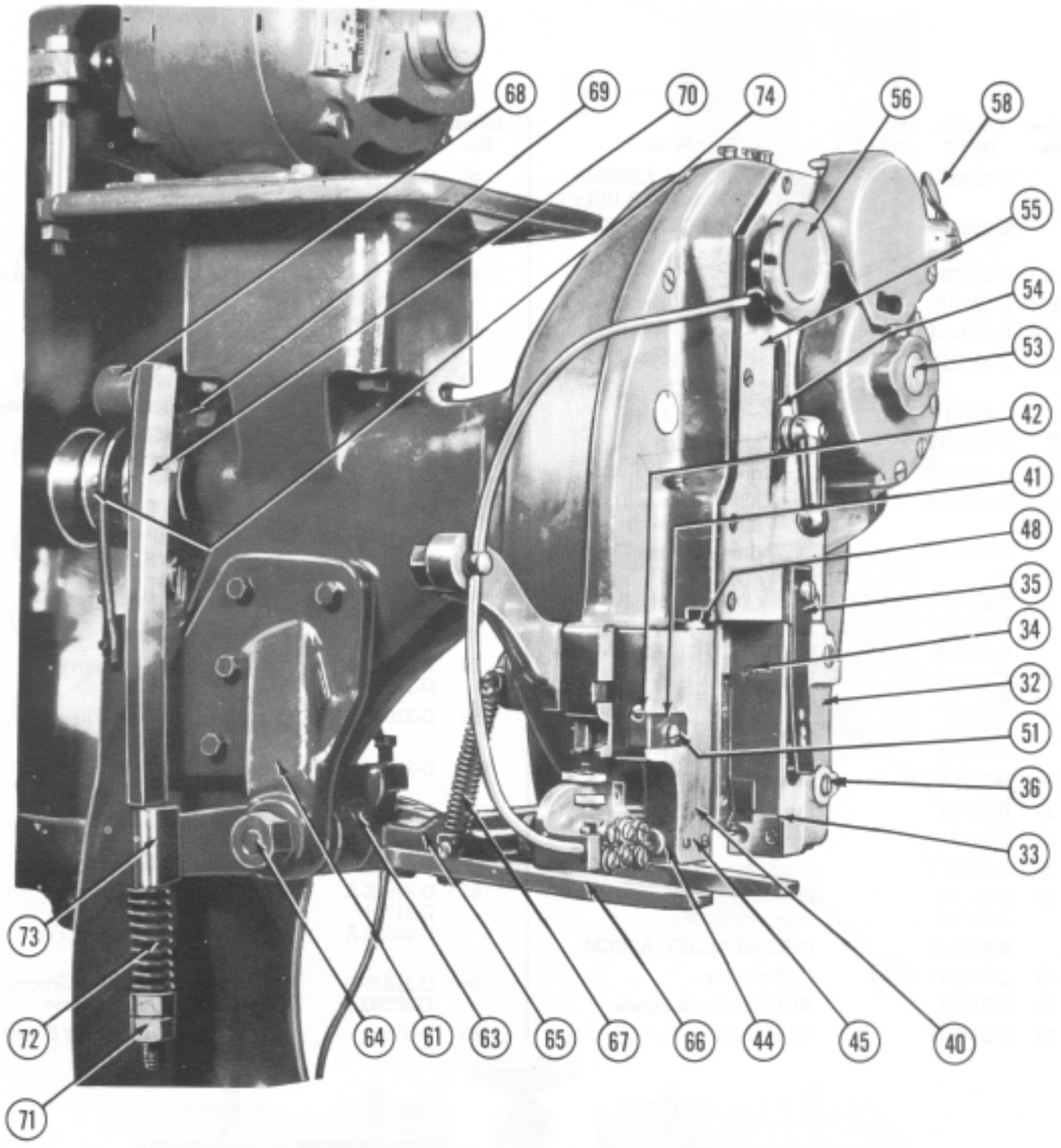


FIG. 2—GENERAL—BOOK COMPRESSOR

N3B BOOK STITCHER

LIST OF PARTS FOR FRONT BLOCK, CUTTER BLOCK, AND CLINCHER BOX—FIG. 3

Index No.	Part No. N3B-2	Part No. N3B-2½	Part Name	Index No.	Part No. N3B-2	Part No. N3B-2½	Part Name
	C-21330-A		CUTTER BLOCK ASSEM. FOR #18 ROUND WIRE	46	D-31838		Round Die
	C-21622-A		CUTTER BLOCK ASSEM. FOR FLAT B.B. WIRE	47	D-31842		Flat Knife
A	C-21329-F		Cutter Block		D-31751		Flat Knife Bushing
B	D-5252-F		¼—20 x ¼" Lg. Set Screw		D-31750		Flat Knife Screw
C	D-29845-F		⅛ Dia. x ¾" Lg. Roll Pin	48	D-37033-A		Flat Knife Holder Assembly
D	D-30523-F		8/32 x ½" Lg. Soc. Hd. Cap Screw		D-31859		Flat Knife Holder Spring
E	D-48961-F		Flat Knife Spring	49	D-31755		Cutter Block Key
F	D-48962-F		Flat Knife Plunger		D-30501		Key Screw
G	D-48963-F		Flat Knife Retainer Plate	50	D-33881		Knife Holder Stop Screw
H	D-48964-A		Flat Knife—Carbon Tipped for Flat B.B. Wire	51	D-31754		Cutter Block Attach. Screw
	D-48974-A		Flat Knife—Carbon Tipped for #18				CLINCHER BOX
J	D-48965-F		Round Die for Flat B.B. Wire	75	D-31846		Clincher Back Plate—3 Groove
	D-48966-F		Round Die for #18	76	D-31825		Clincher Front Plate—3 Groove
	B-6935-A		FRONT BLOCK ASSEMBLY	77	D-31850		Clincher Side Piece—3 Groove
32	C-8428-F		Front Block		D-30627		Pin
33	D-31779		Wire Guide	78	D-31674		Binding Screw
	D-33161		Pin	79	D-38458-A		Clincher—3 Groove
	D-30618		Guide Screw		D-31707		Clincher Pin
34	D-31778		Mandrel Pivot Screw	80	D-31847		Clincher Back Plate—1 Groove
36	D-31780		Front Block Attach. Screw	81	D-31827		Clincher Front Plate—1 Groove
37	D-31884		Mandrel	82	D-31849		Clincher Side Piece—1 Groove
38	D-33181-F		Gripper		D-30627		Clincher Side Piece Pin
39	D-62823-F	SEE	Eccentric	83	D-31822-A		Clincher—1 Groove
	D-62825-F	B-6935-A	Eccentric Screw		D-31707		Clincher Pin
			SEE INSET FOR LATE MODELS		D-49522-A		Clincher, Flat Top, For Hi-Carbon Wire
	B-6934-A		CUTTER BLOCK ASSEM.	84	D-31826		Clincher Lifter—1 Groove
40	C-8227-F		Cutter Block		CB-622-A		Clincher Lifter Screw
43	D-31752		ADJ Slide Lock Screw	85	D-30865		Clincher Attaching Screw
44	D-31860-F		Wire Guide				

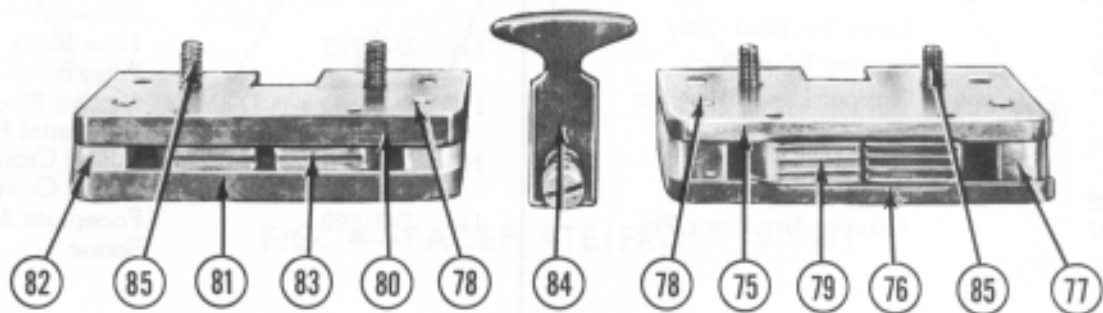
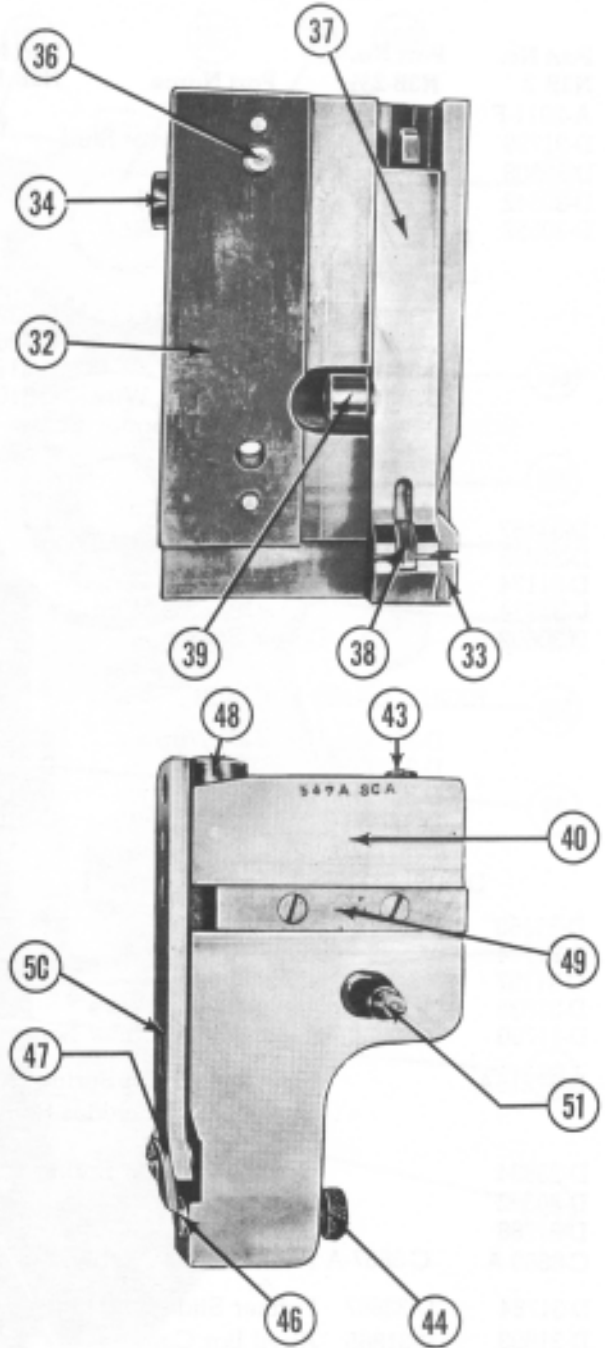
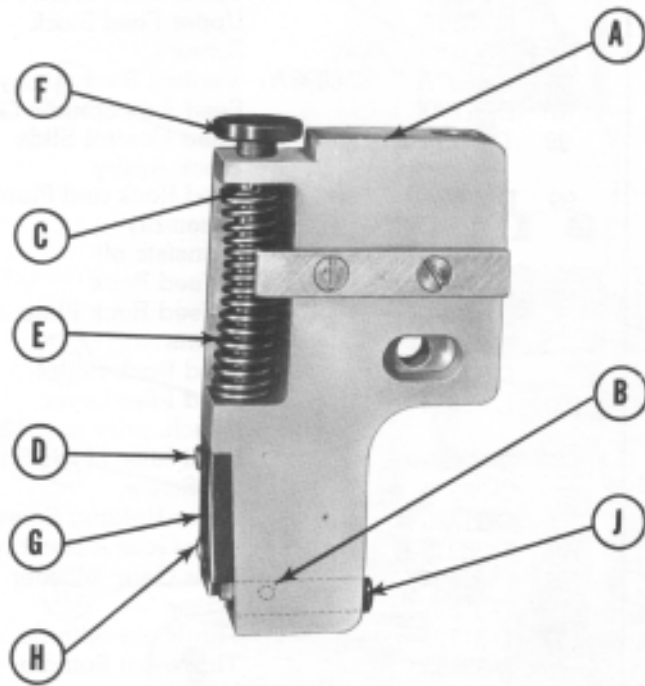
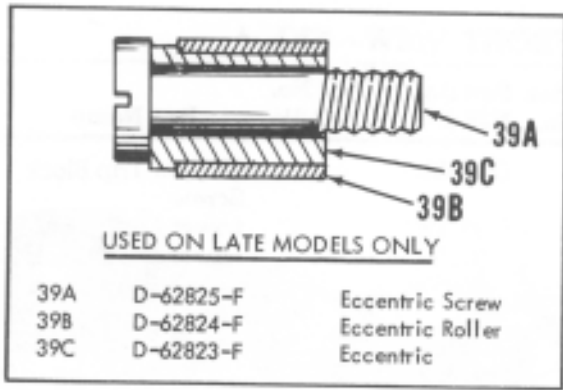


FIG. 3—FRONT BLOCK—CUTTER BLOCK
CLINCHER BOX

N3B BOOK STITCHER

PARTS LIST FOR FACE PLATE—FRONT VIEW—FIG. 4

Index No.	Part No. N3B-2	Part No. N3B-2½	Part Name	Part No. N3B-1½	Index No.	Part No. N3B-2	Part No. N3B-2½	Part Name
86	A-2011-F D-31729 D-30608 D-30542 D-30552	A-2016-F	Face Plate Idler Lever Pivot Stud Dowel Pin Gits Oiler #301 Gits Oiler #302			D-30501 D-33689 D-31396 D-30897		Gripper Trip Block Screw Lower Feed Block Lower Feed Block Pin Lower Feed Block Screw
LEFT HAND FORMER								
87		D-36484 D-33803 D-33422 D-31189 CD-2298	For #17 Wire " #18 " " #20 " " #18 x 20 Wire Single End Former Screw	D-33258 D-33691 D-31156 D-31033		D-31782 D-31396 D-30897	D-31864	Upper Feed Block Upper Feed Block Pin Upper Feed Block Screw
DRIVER								
88	D-31167 D-31038 D-31174 D-31034 D-30602		For #17 Wire " #18 " " #20 " " #18 x 20 Wire Driver Screw			99 D-37034-A		Feed Rack and Plate Assembly (Consists of) Feed Rack Plate Feed Rack Pins
RIGHT HAND FORMER								
89		D-36483 D-31023 D-33421 D-31197	For #17 Wire " #18 " " #20 " " #18 x 20 Wire	D-33259 D-31143 D-31173 D-31032		100 C-8522-F	C-8078	Feed Rack Roller Feed Idler Lever (Mach. prior to #12034) Feed Idler Lever Stud Set Screw Lever Holding Screw
DOUBLE END FORMER								
89	D-31168 D-31144 D-31157 D-31035 D-11790		For #17 Wire " #18 " " #20 " " #18 x 20 Wire Double End Former Screw			101 D-37035-F 102 D-31804 D-30897 103 D-31725 CN-30		Idler Gear Idler Gear Washer Screw Throw-out Spindle Throw-out Spindle Handle Taper Pin
90	D-37215A		Gripper Tension Spring Stud Assby (Includes Roller and Pin)			*D-30471 104 D-33887 D-31735 D-31732		Tension Spring Tension Plunger Tension Adj. Screw
	D-33884 CD-2289		Gripper Tension Spring Stud Lock Screw			105 D-37036-A		Clutch Spider Assembly
91	D-31788		Shoe			106 D-30625 107 D-30440 108 D-30106 109 D-30542		Clutch Roller Clutch Roller Spring Clutch Ring Gits Oiler
92	C-8869-A	C-8867-A	Former Slide Assbly.			110 D-31769 D-31768 D-33881	D-31862	Cut Off Block Trip Slide Slide Adj. Screw Slide Adj. Screw Lock Screw
119	D-31784	D-33897	Former Slide Stud Only			111 D-31722 D-31761		Tilter Block Tilter Block Pin
94	D-31693	D-31865	Anvil Bar Cam			112 D-38501	D-31453	Cutting Block Horizontal Rack
	D-30865		Screw			113 D-31816) D-31810)	D-37012-A Assembly	Cut-off Crank Spindle Cut-off Crank Arm
95	C-8873-A	C-8868-A	Drive Bar Assembly			114 D-31699		Faceplate Attaching Screw
	D-31783		Drive Bar Stud Only					
93	D-33873 D-31747 D-30501		Gripper Lifter Block Gripper Lifter Block Pin Gripper Lifter Block Screw					
	D-31748 D-30627		Gripper Trip Block Gripper Trip Block Pin					

*Late Model Stitchers use D-37929 Roll Pin.

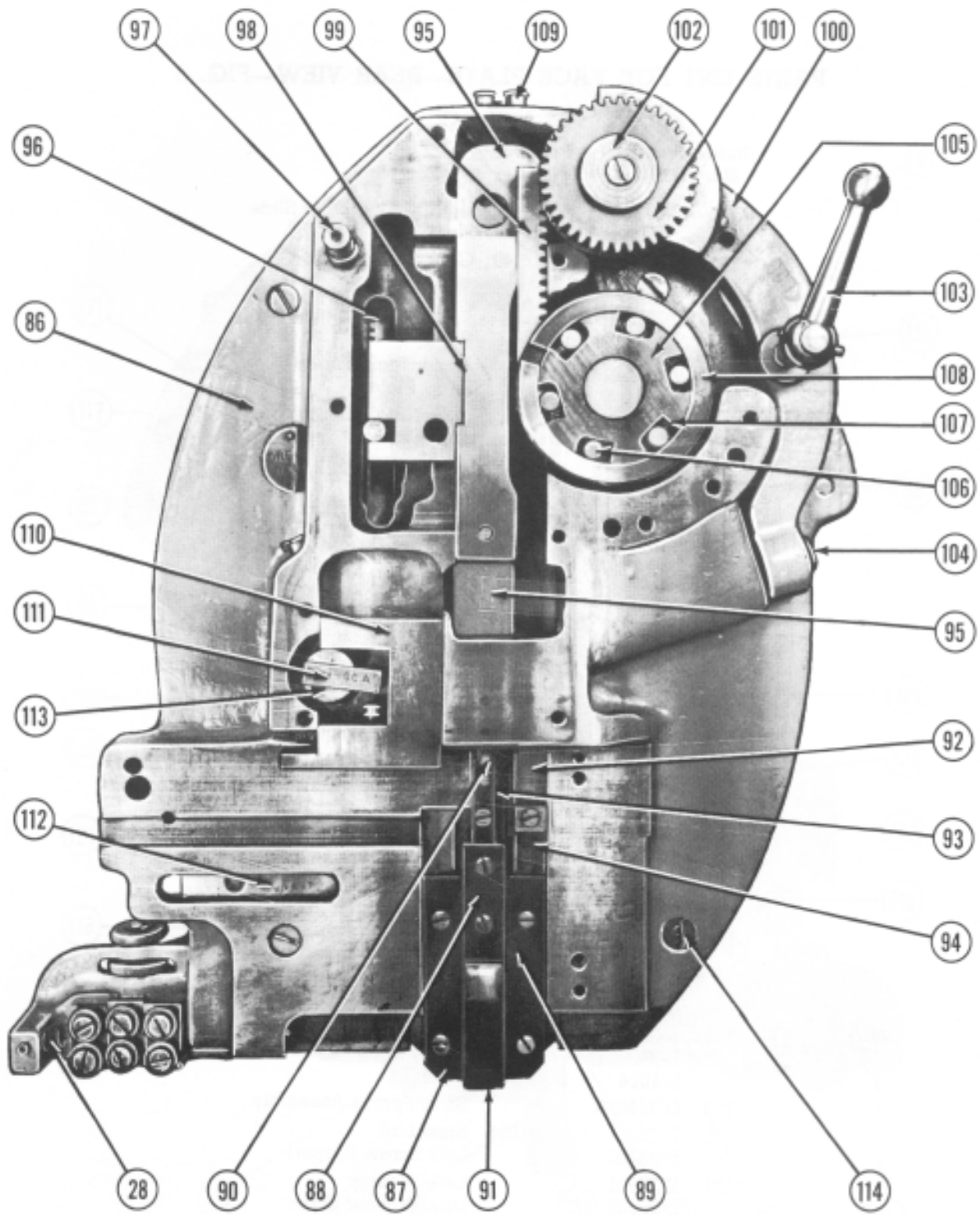


FIG. 4—FACEPLATE (FRONT VIEW)

PARTS LIST FOR FACE PLATE—REAR VIEW—FIG. 5

Index No.	Part No. N3B-2	Part No. N3B-2½	Part Name
115	D-33902-F		Lower Left Former Slide Plate
123	D-31775	D-33349	Gear Stud
	D-30541		Gear Stud Nut
116	D-31776		Upper Left Former Slide Plate
117	D-31785		Upper Right Former Slide Plate
118	D-31786		Lower Right Former Slide Plate
	D-30897		Plate Attaching Screws
	D-13706		Plate Dowel Pins
119	D-31784	D-33897	Former Slide Stud
120	D-31839		Cam Roller
121	D-31734		Wire Feed Throwout Screw
	D-30541		Nut
122	D-37037A		Connecting Link
124	D-36982A	D-37213A	Cutting Block Ring Gear Assembly
125	D-31924F	D-31925F	Shoe Box
	D-30039		Dowel Pin
	D-33409		Screw for D-31924F
	D-31692		Screw for D-31925F
	D-31832F		Shoe Box Center Piece
	D-31689		Shoe Box Center Piece Pin
126	D-37038A		Shoe Spring Crank Arm Assembly
127	D-37039A		Shoe Spring Crank Assembly
	D-31697		Shoe Crank Spindle
	D-1020-F		Nut
128	D-33405		Shoe Pin
	D-34891		Shoe Pin Set Screw
	D-1014		Cotter Pin
129	D-36492A		Shoe Spring Assembly
130	D-33871	D-31854	Shoe Link
	D-33730		Link Screw (Upper)
131	D-30601		Link Washer
	D-30520		Link Washer Screw

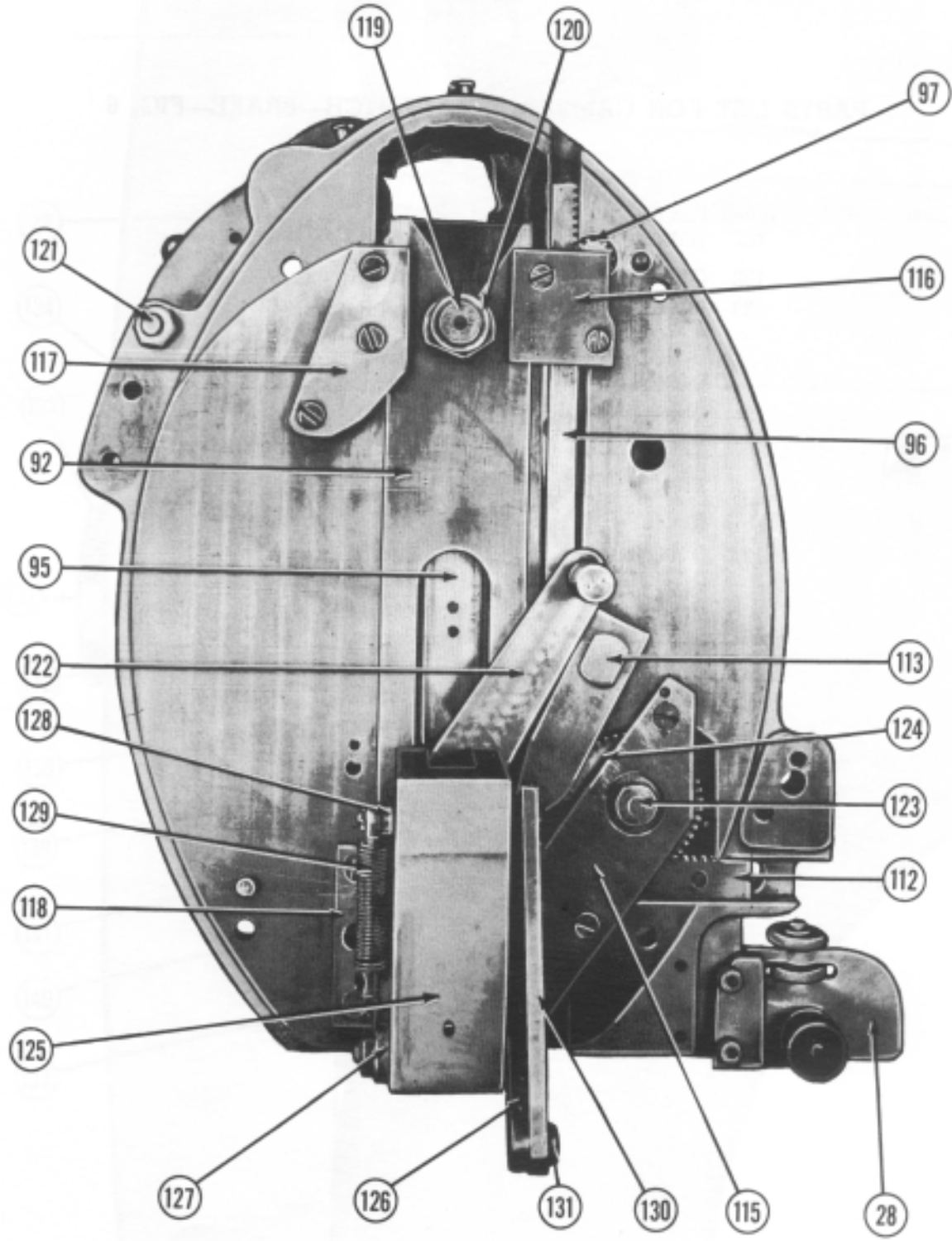


FIG. 5—FACEPLATE (REAR VIEW)

PARTS LIST FOR CAM—SHAFT—CLUTCH—BRAKE—FIG. 6

Index	Part No.	Part No.	Part Name
No.	N3B-2	N3B-2½	
132	C-8872A	C-8871A	Cam, Shaft Assembly
133	D-30655F		Fly-Wheel Retaining Collar
	D-30558		Gits Oiler
134	D-33859		Clutch Face
	D-30649		Clutch Face Screw
	D-30604		Clutch Face Pin
135	D-31844		Clutch Bolt
	D-31841		Clutch Bolt Spring
136	D-33860		Brake Strap
	D-38884-F		Adjusting Screw Bracket
	D-26595-F		Set Screw
137	D-31833		Brake Spring
138	D-37209A		Clutch Throwout Shaft Assby
139	D-31889		Clutch Throwout
	D-30607		Clutch Throwout Screw
140	D-37211A		Clincher Cam Push Rod Assby
141	D-31843		Clincher Cam Roller
	D-30233		Roller Stud
142	D-36983A		Clutch Collar Assby
	CB-835-H		Roll Pin
	D-33858		Spring Stop

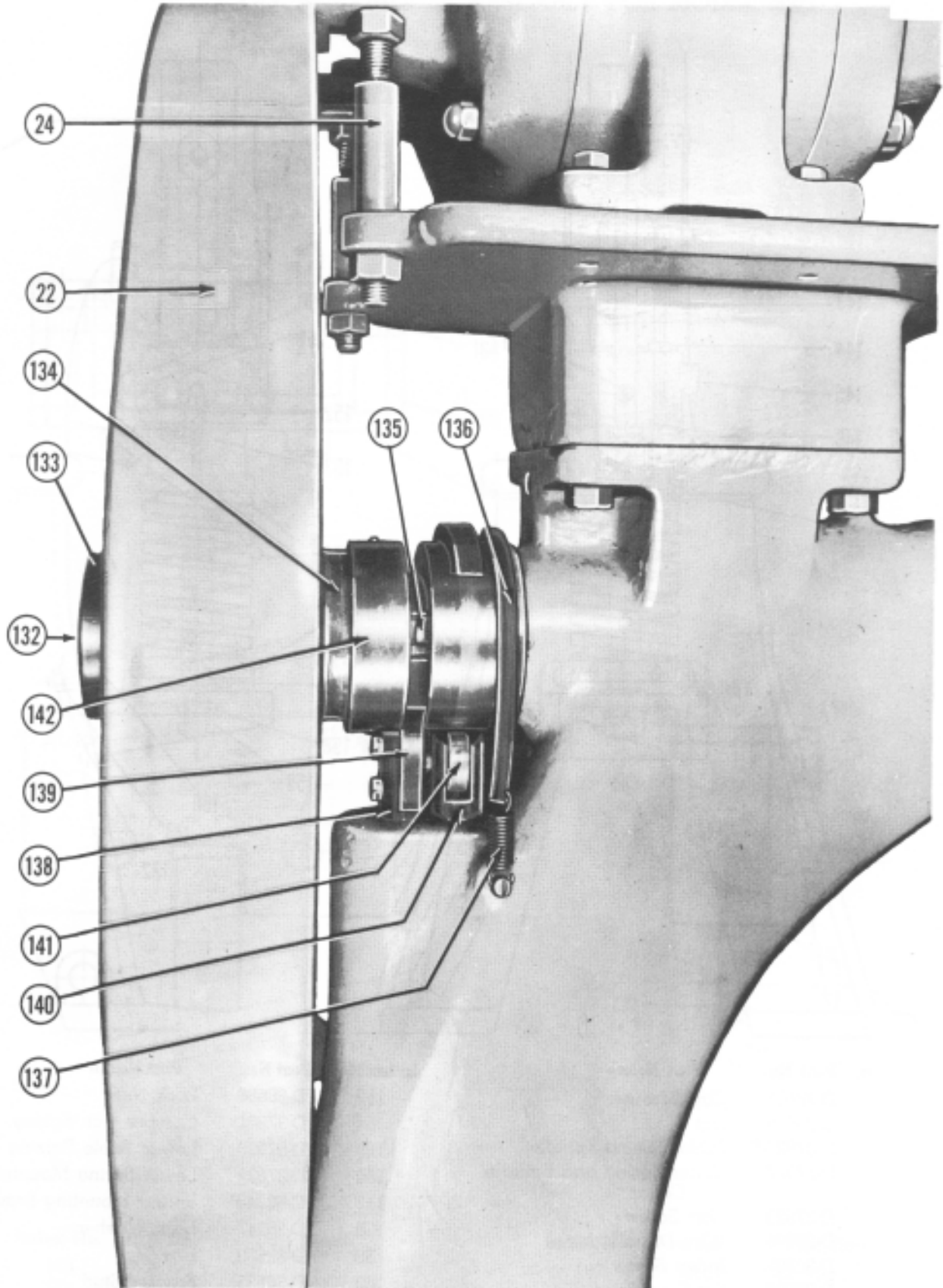
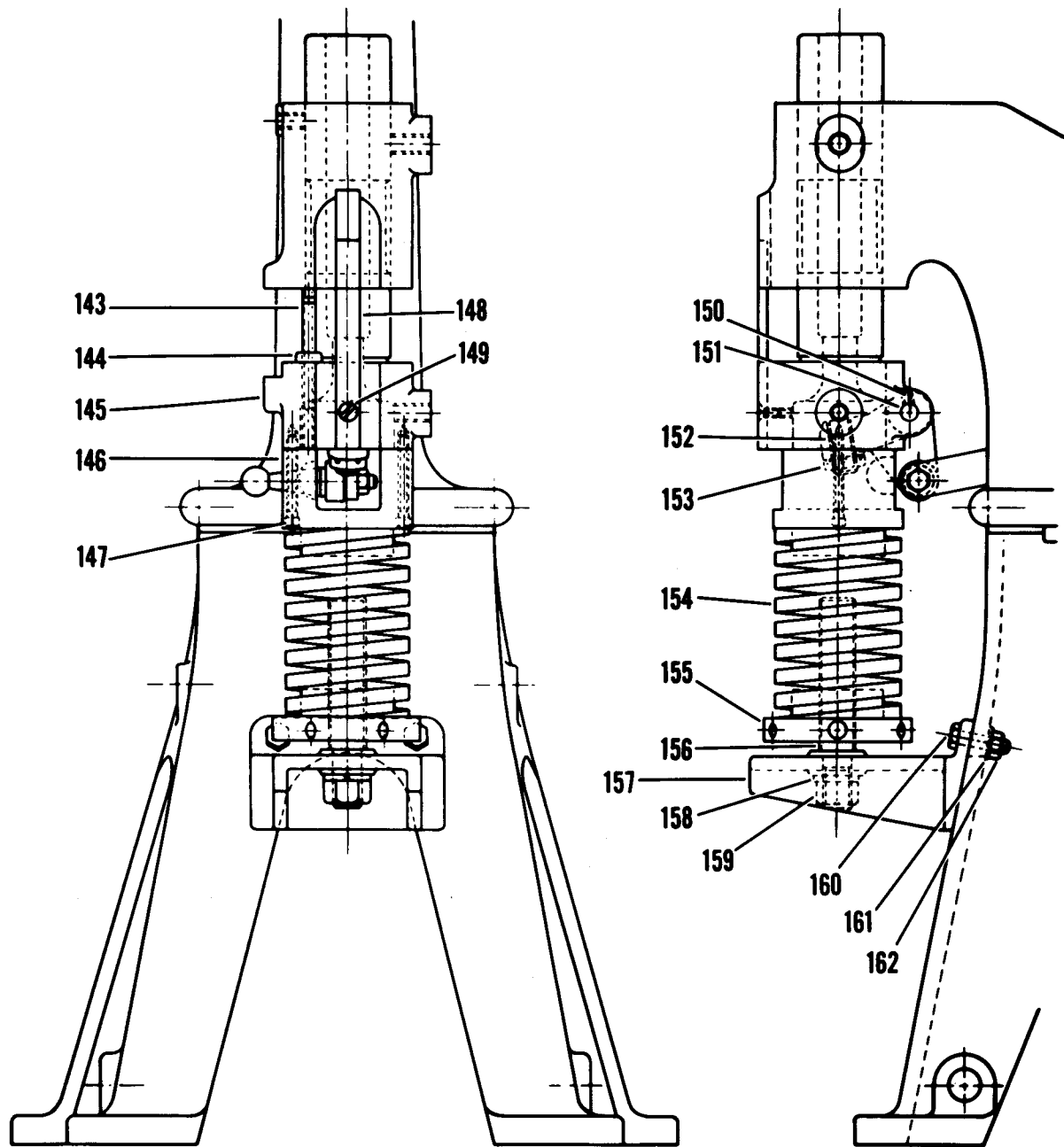


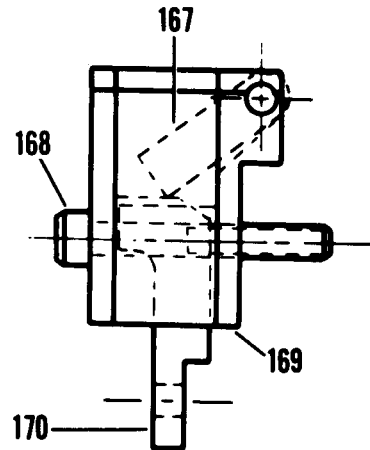
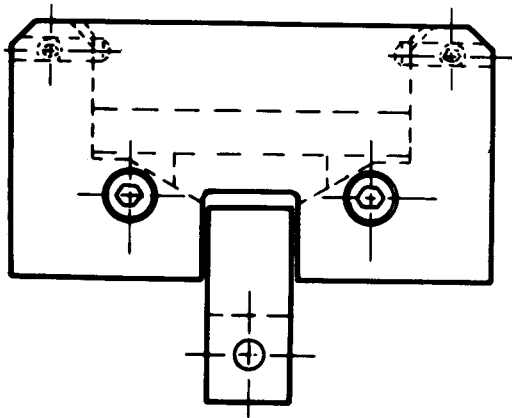
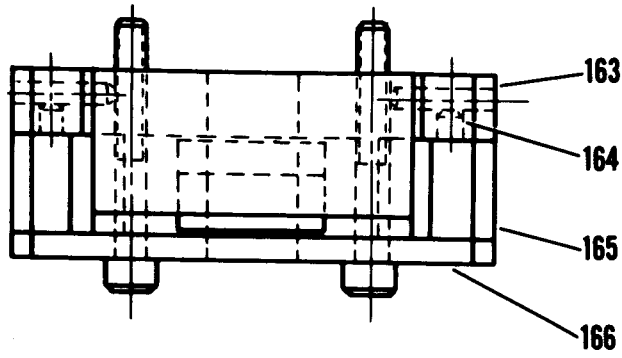
FIG. 6—CAM—SHAFT—CLUTCH—BRAKE

FIG. 7—SPRING MOUNTED SPINDLE ASSEMBLY FOR MODEL N3D



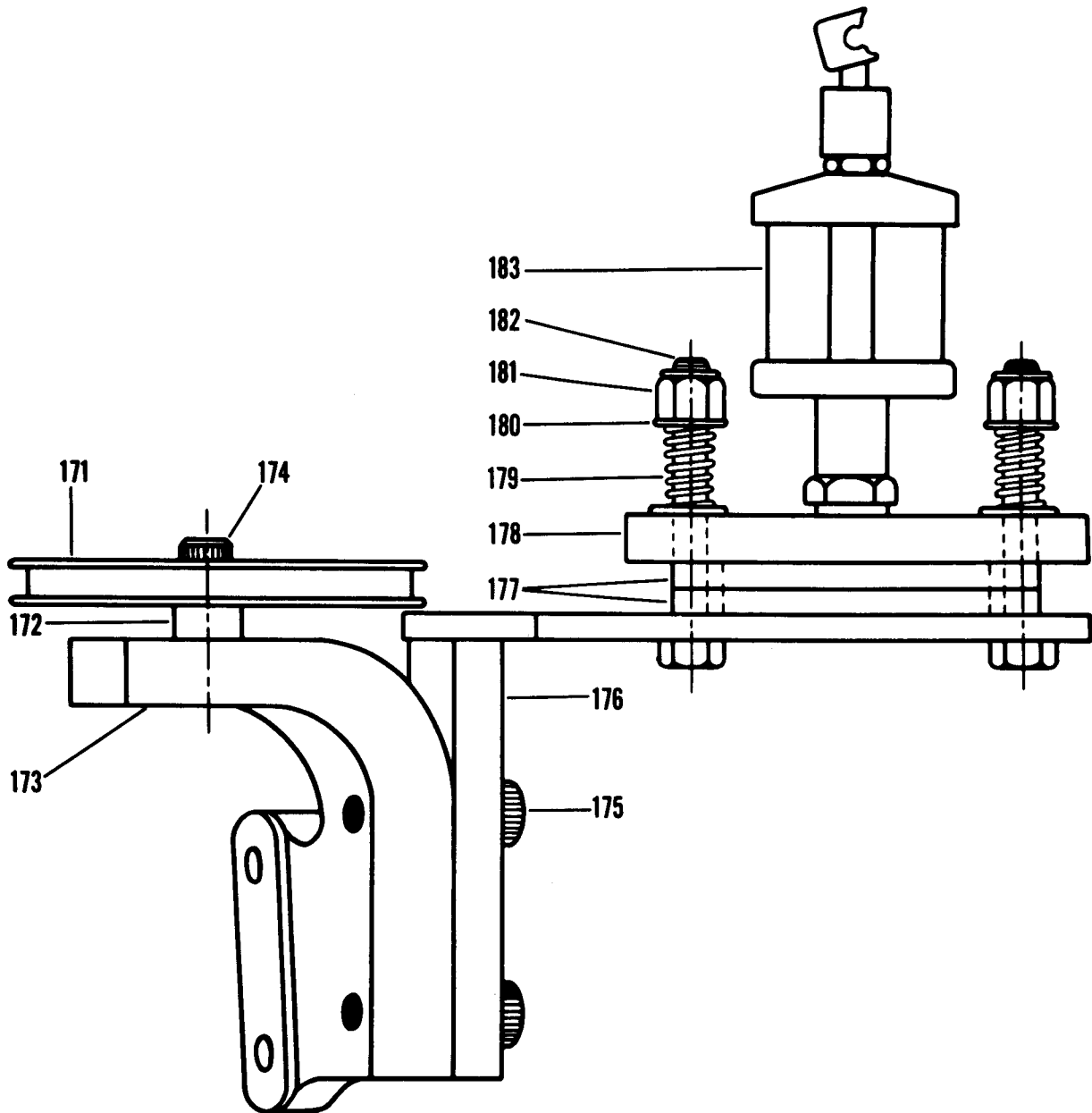
Index No.	Part No.	Part Name	Index No.	Part No.	Part Name
143	D-38668	Cap Screw	153	D-38686	Lock Nut
144	D-30575	Nut	154	D-37921	Compression Spring
145	D-37926-F	Table Raising Spindle	155	D-37920	Lower Table Raising Collar
146	D-37927	Upper Spring and Spindle Collar	156	D-37922	Lower Spring Mounting Stud
147	D-37928	Cap Screw	157	C-9024-F	Spring Mounting Bracket
148	D-33896	Wire Draw Index	158	D-36247	Lock Washer
149	D-30897	Index Screw	159	D-32980	Hex Nut
150	D-30508	Set Screw	160	D-30535	Bracket Stud
151	D-30076	Outer Crank Pin	161	D-3064	Lock Washer
152	D-33874	Clincher Crank Screw	162	D-3080	Nut

FIG. 8—CLINCHER ASSEMBLY FOR MODEL N3D



Index No.	Part No.	Part Name	Index No.	Part No.	Part Name
163	D-37327	Pin	167	D-38661	Clincher
164	D-32979	Set Screw	168	D-30528	Cap Screw
165	D-38660	Side Piece	169	D-38663	Rear Plate
166	D-38659	Front Plate	170	D-38662	Lifter

FIG. 9—WIRE GUIDE & OILER ASSEMBLY FOR MODEL N3D

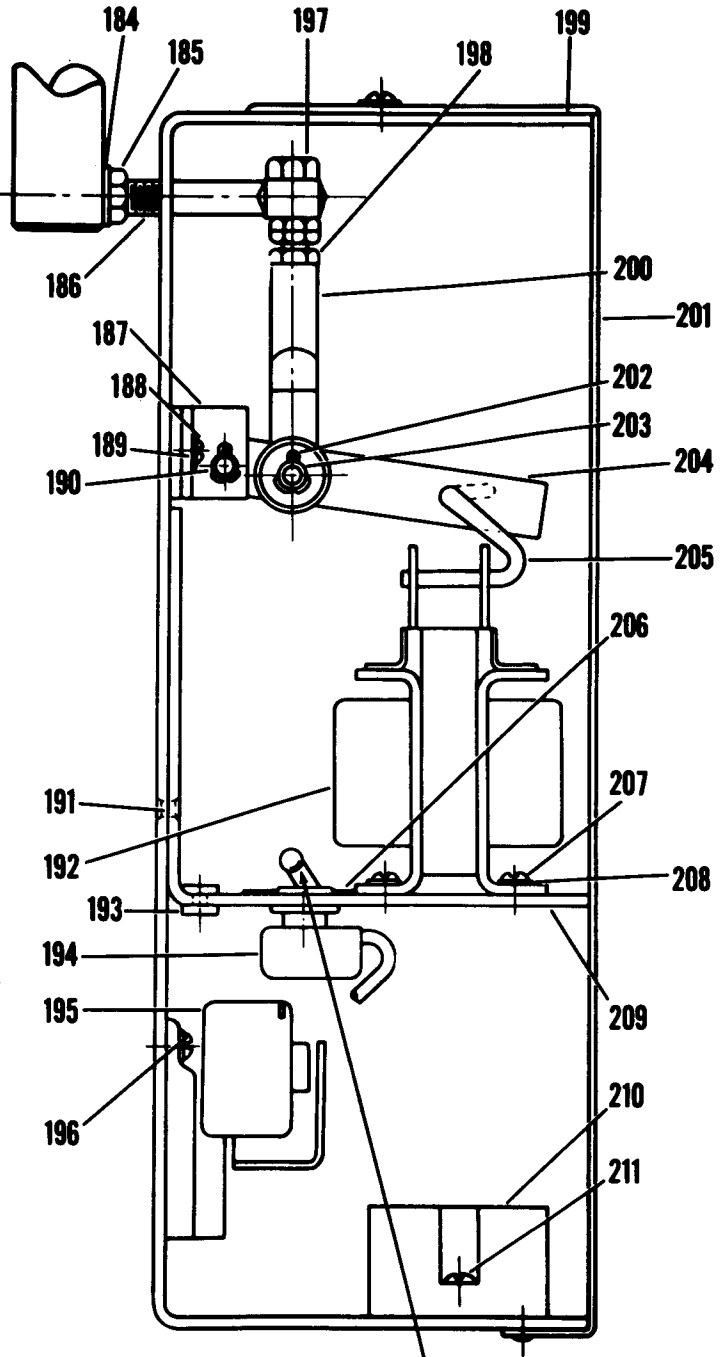


Index No.	Part No.	Part Name	Index No.	Part No.	Part Name
171	D-24872	Pulley	178	D-38666	Wire Wiper Top Plate
172	D-5335	Washer	179	D-30480	Spring
173	C-9207-F	Mounting Bracket	180	D-5335	Washer
174	D14159	Stud	181	D-26096	Nut
175	D-14337	Cap Screw	182	D-25436	Cap Screw
176	C-9208-A	Wire Wiper Bracket	183	D-32116	Oiler
177	D-38667	Oil Wipe Pad			

FIG. 10—SOLENOID TRIP MECHANISM FOR MODEL N3D

NOT USED ON N3B MECHANICAL ACTIVATION

Index No.	Part No.	Part Name
184	D-3064	Lock Washer
185	D-7849	Jam Nut
186	D-32130	Trip Rod Stud
187	D-37006-A	Trip Rod Bracket Assembly
188	D-1021	Screw
189	D-7951	Lock Washer
190	D-38086	Lever Roll Pin
191	D-32124	Rivet
192	Specify	Solenoid
	Power	
	Course	
193	D-37199	Rubber Grommet
194	D-32132	Toggle Switch
195	Specify	Magnetic Contactor
	Power	
	Course	
196	D-3196	Screw
197	D-32131-F	Solenoid Trip Bolt
198	D-7403	Jam Nut
199	B-6153	Switch Box
200	D-30762-F	Yoke
201	B-6152	Switch Box Cover
202	D-14531	Cotter Pin
203	D-31955	Yoke Pin
204	D-31982	Trip Rod Lever
205	D-37611	Connecting Link
206	D-32133	Indicating Plate
207	D-32125	Screw
208	D-14267	Lock Washer
209	B-6145-A	Bracket Assembly
210	D-33030	Terminal Block
211	D-32129	Screw



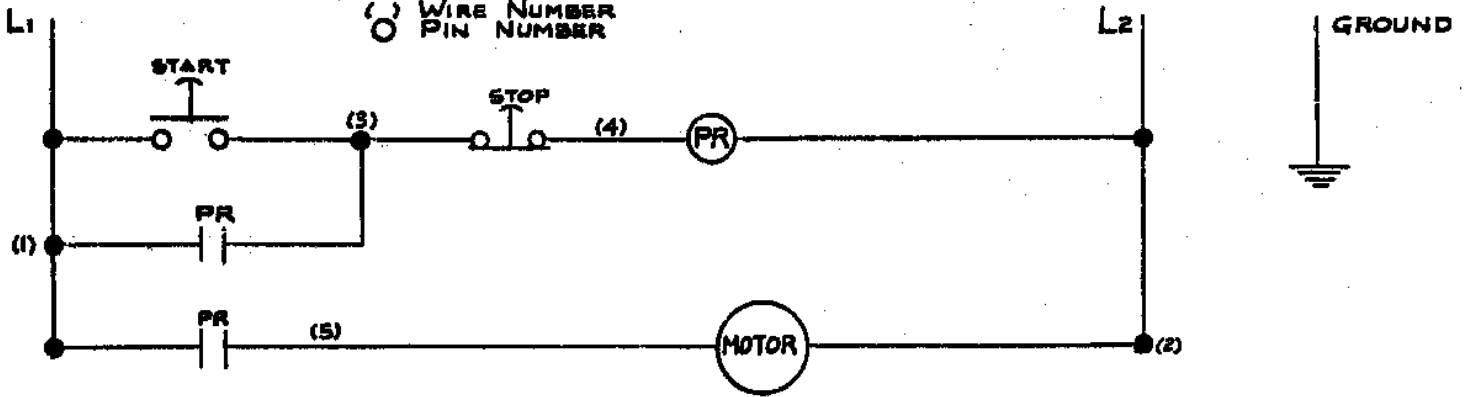
When switch is in "off" position, only one stitch will be driven per treadle operation.

When switch is in "on" position, stitches are driven continuously while treadle is depressed.

N3B BOOK STITCHER

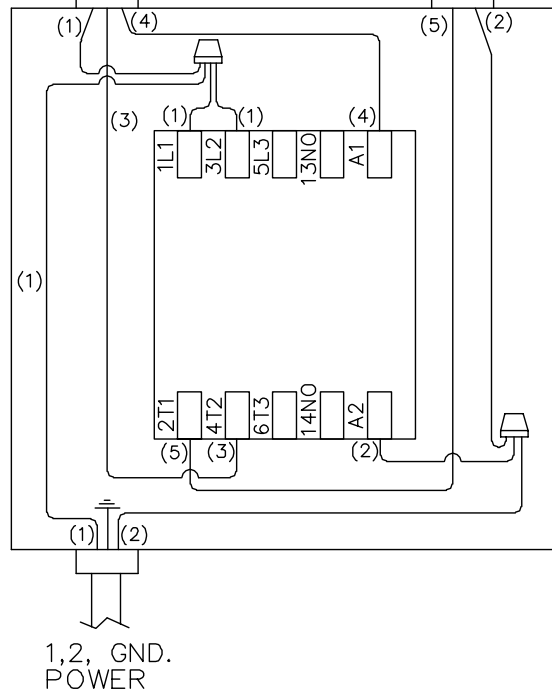
115 VOLTS, 60 HZ, 1 PHASE 230 VAC / 50 Hz

() WIRE NUMBER
 ○ PIN NUMBER



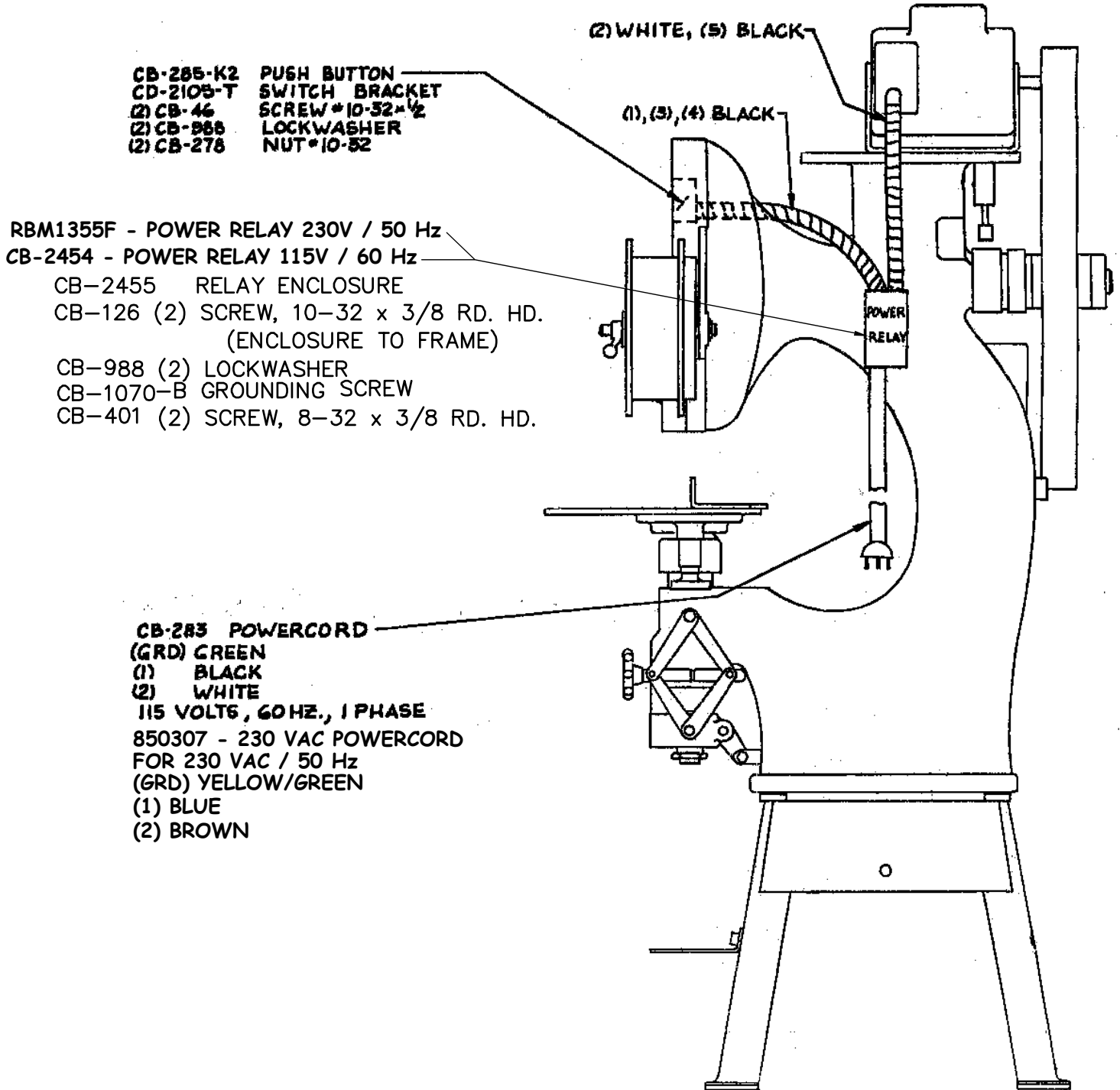
TO PUSH BUTTON
 1,3,4

TO MOTOR
 2,5,6



POWER RELAY
RBM1355 - 230 V/50 Hz
CB2454 - 115V/60 Hz

1,2, GND.
 POWER



- CB-285-K2 PUSH BUTTON
- CD-2105-T SWITCH BRACKET
- (2) CB-46 SCREW #10-32 x 1/2
- (2) CB-988 LOCKWASHER
- (2) CB-278 NUT #10-32

- RBM1355F - POWER RELAY 230V / 50 Hz
- CB-2454 - POWER RELAY 115V / 60 Hz
- CB-2455 RELAY ENCLOSURE
- CB-126 (2) SCREW, 10-32 x 3/8 RD. HD.
(ENCLOSURE TO FRAME)
- CB-988 (2) LOCKWASHER
- CB-1070-B GROUNDING SCREW
- CB-401 (2) SCREW, 8-32 x 3/8 RD. HD.

- CB-283 POWERCORD
- (GRD) GREEN
- (1) BLACK
- (2) WHITE
- 115 VOLTS, 60HZ., 1 PHASE
- 850307 - 230 VAC POWERCORD
- FOR 230 VAC / 50 Hz
- (GRD) YELLOW/GREEN
- (1) BLUE
- (2) BROWN

N3B BOOK STITCHER



COMPANY INC.

solving your wire stitching needs for 125 years...

ISP Stitching & Bindery Products

A Division Of Samuel Strapping Systems

3747 Acorn Lane • Franklin Park • Illinois 60131

Phone: 847-455-4400 • 800-634-0810

Fax: 847-455-4900 • 800-417-9251

<http://www.deluxestitcher.com>

FORM 1069 8/10/18